

NEG ARG FIBER

Chopped Strands

S-750 Chopped Strands



S-750 chopped strands are a water dispersible type of fiber used for water rich cementitious slurry / cement mortar. It retains some moisture and immediately disperses in water / cementitious slurry and provides excellent crack control even at a low dosage.

■ Product Number

ACS6S-750(20)/D ----- 6mm cut length
ACS13S-750(20)/D ----- 13mm cut length
ACS25S-750(20)/D ----- 25mm cut length

■ Product Specifications

Type of glass ----- Alkali Resistant glass
Filament diameter (μm) ----- 13.5
Moisture content (%)* ----- 7.5 ± 5.0

*Data measured by JIS (Japanese Industrial Standard)

■ Process

Hatschek, Casting

■ Applications

Concrete
Calcium silicate

■ Expected Effect

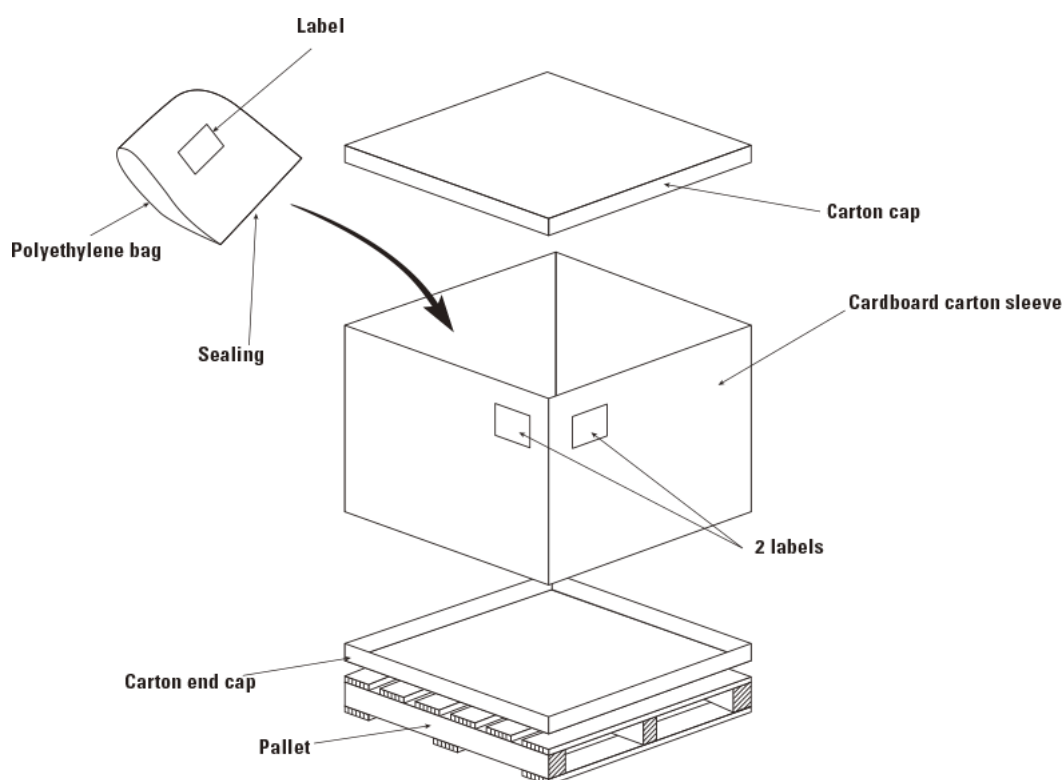
Disperses into filaments and works for crack control

■ Packaging Data

20 kg in a polyethylene bag

■ Palletizing Data

Product Number	Number of bags per pallet	Pallet Dimensions (mm)		
		Length	Width	Height
ACS6S-750(20)/D	50	1100	1100	1100
ACS13S-750(20)/D	50	1100	1100	1100
ACS25S-750(20)/D	50	1100	1100	1100



■ Storage Conditions

S-750 Chopped Strands should be stored in an upright position in a dry area in its original packaging.

S-750 Chopped Strand should be sheltered from the direct sunlight.